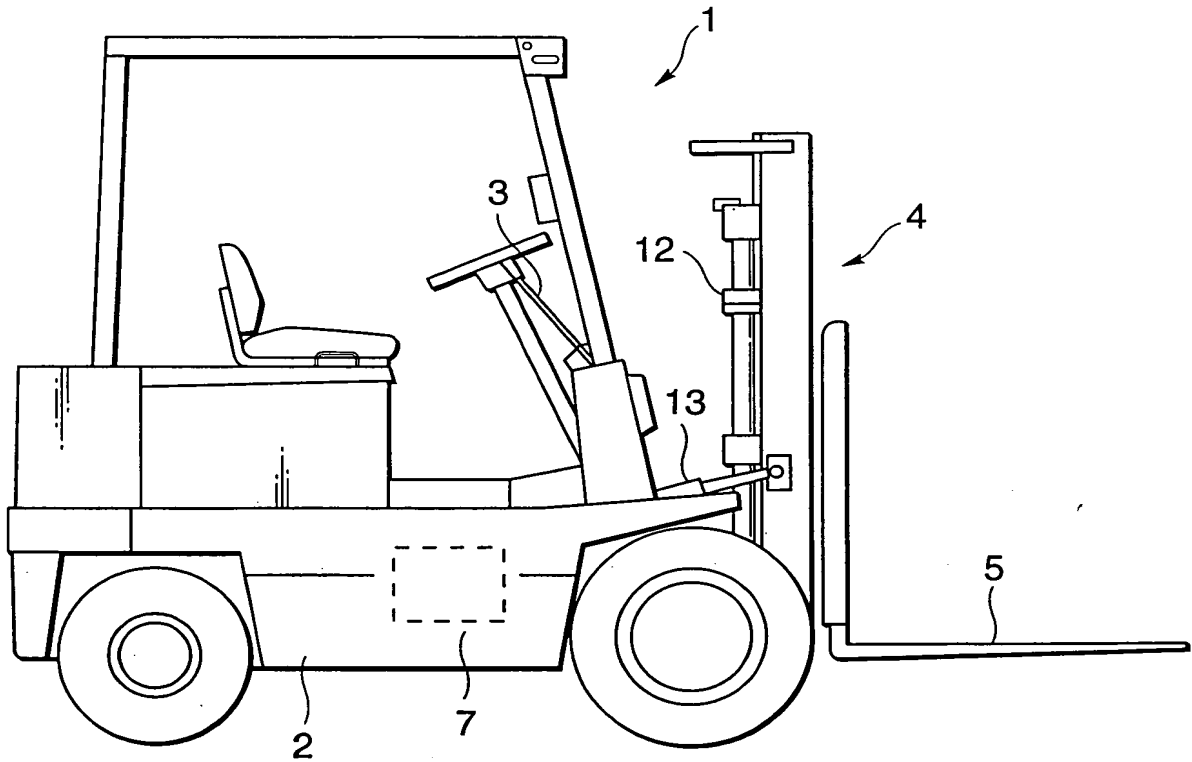


APPROVED	O.G. FIG. 1, 2	
BY	CLASS	SUBCLASS
DRAFTSMAN	414	634

Shinobu TANAKA
 SINGLE LEVER WITH BUTTON FOR
 SELECTIVELY CONTROLLING EITHER THE
 LIFT OF A FORKLIFT MECHANISM

1/4

FIG.1



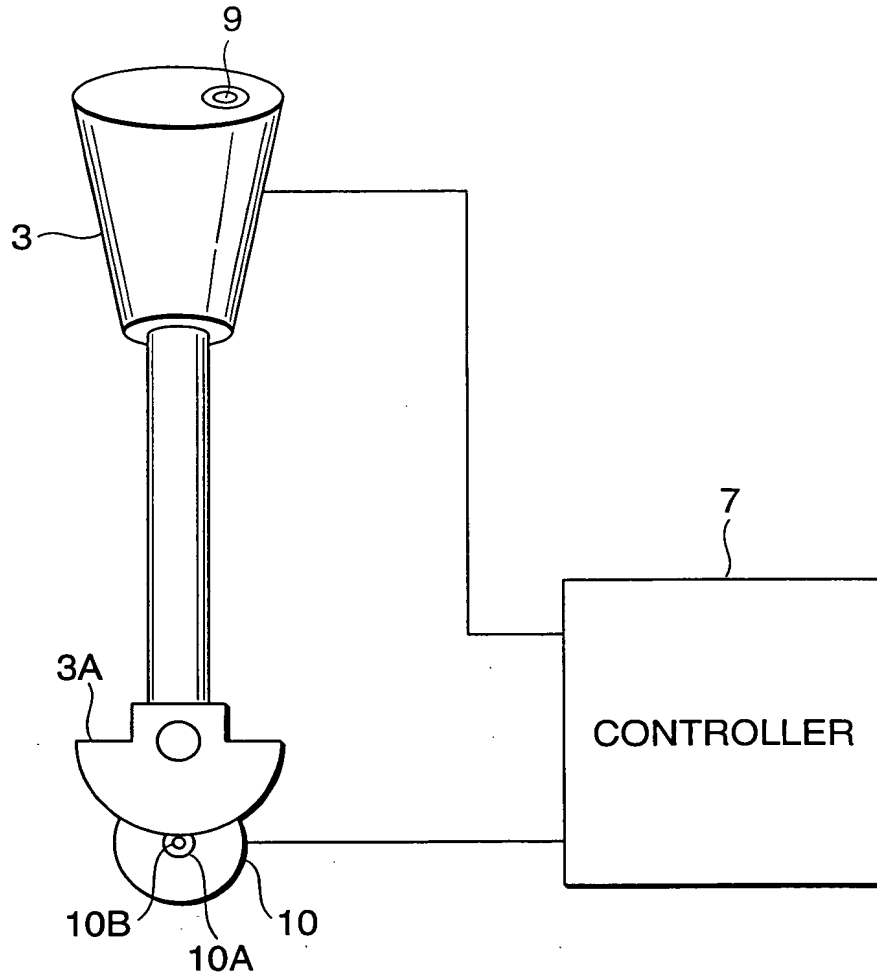
THE PATENT OFFICE OF JAPAN

APPROVED	O.G. FIG. 1, 2	
BY	CLASS	SUBCLASS
DRAFTSMAN	414	634

Shinobu TANAKA
SINGLE LEVER WITH BUTTON FOR
SELECTIVELY CONTROLLING EITHER TOWER OR
LIFT OF A FORKLIFT MECHANISM

2/4

FIG.2



FOR INFORMATION

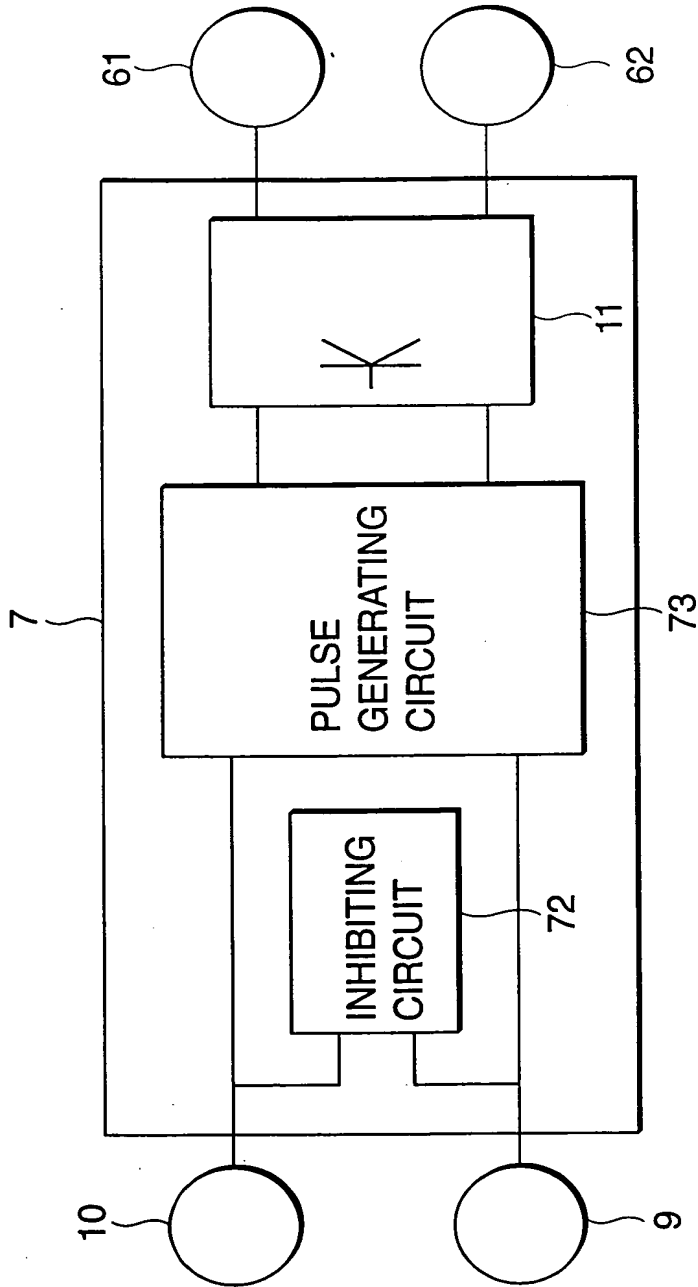
APPROVED	O.G. FIG. 1, 2	
BY	CLASS	SUBCLASS
DRAFTSMAN	414	634

Shinobu TANAKA
 SINGLE LEVER WITH BUTTON FOR
 SELECTIVELY CONTROLLING EITHER TILT OR
 LIFT OF A FORKLIFT MECHANISM

3/4

106190" 623360

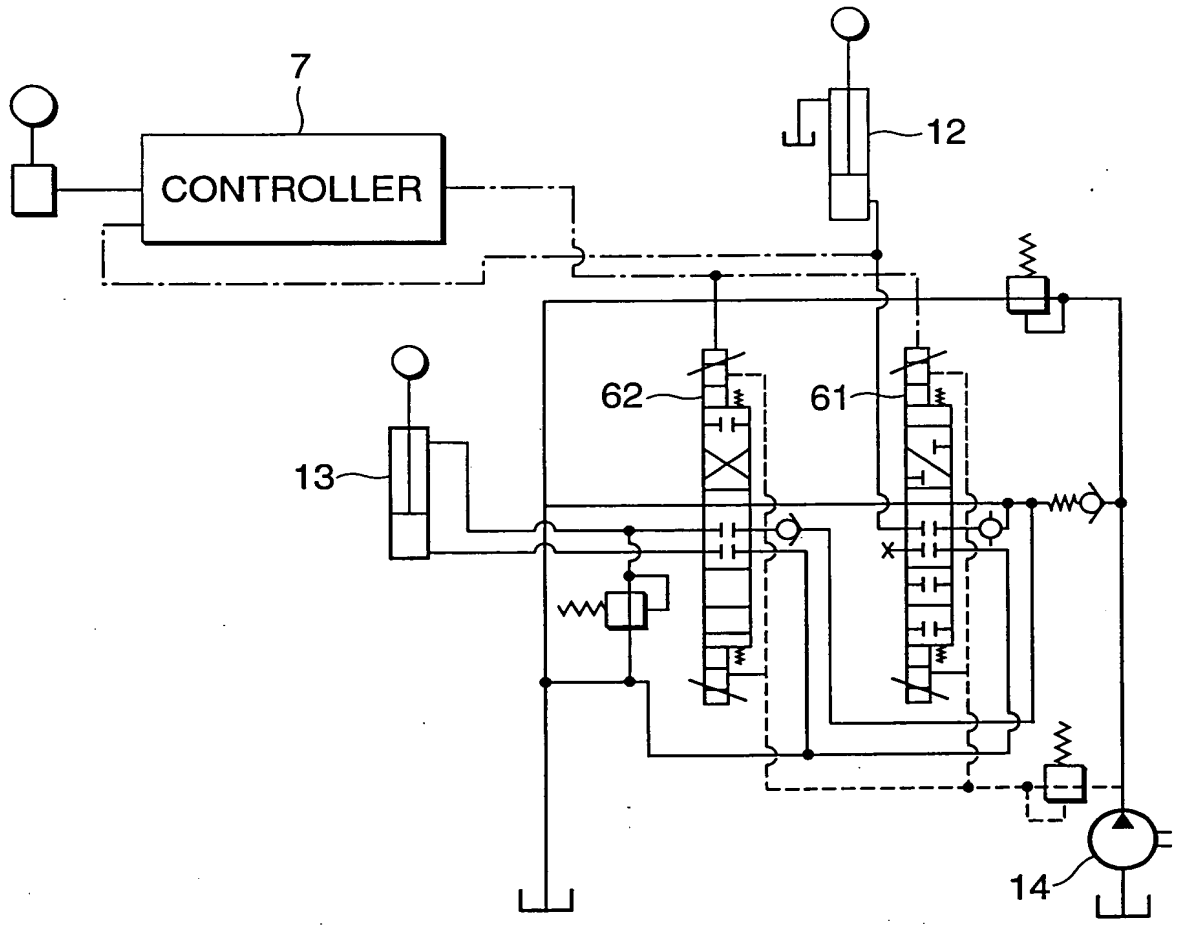
FIG.3



APPROVED	O.G. FIG. 12	
BY	CLASS	SUBCLASS
DRAFTSMAN	414	634

Shinobu TANAKA
 SINGLE LEVER WITH BUTTON FOR
 SELECTIVELY CONTROLLING EITHER TILT
 LIFT OF A FORKLIFT MECHANISM

FIG.4

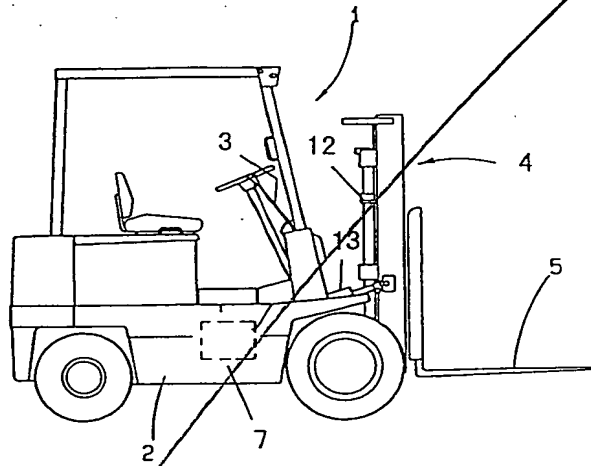


TOP SECRET

【書類名】 図面

【図1】

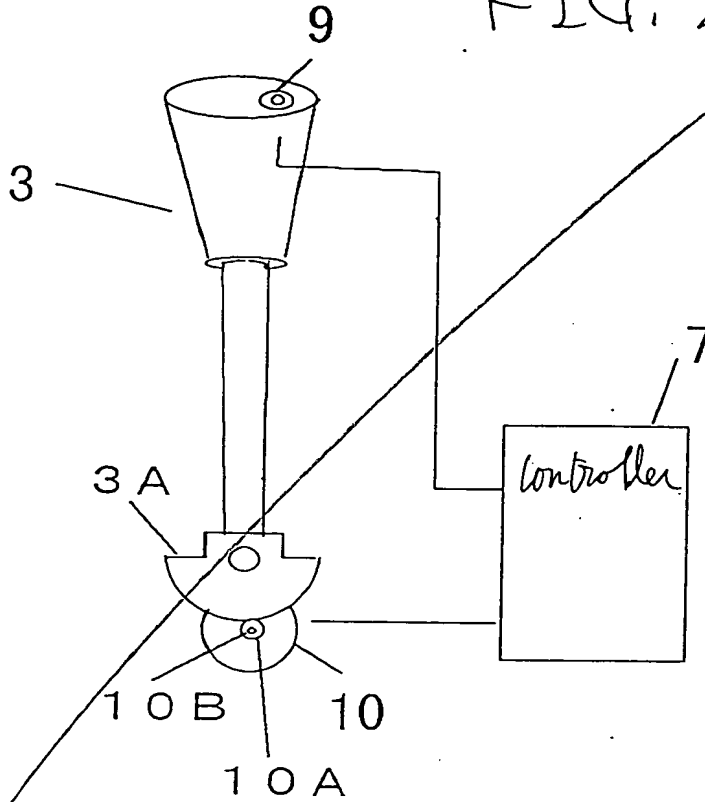
FIG. 1



【図2】

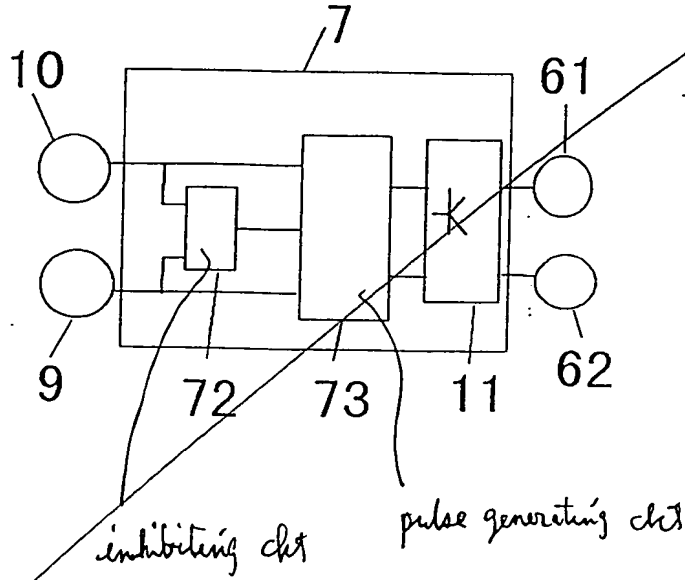
JC978 U.S. PTO
09/883279
06/19/01

FIG. 2



【図3】

FIG. 3



【図4】

FIG. 4

